

SERVICE INFORMATION**NO. 1
JAN. '69****Subject: Minor Change of Model STR-6060 FW****1. INTRODUCTION**

SONY has recently made a minor change on Model STR-6060 FW to improve its electrical quality or performance. The change introduced here includes replacement of components and modification of circuit.

2. DESCRIPTION OF MODIFICATION

- a) Fm i-f board: C286 has been newly employed to reduce fm local oscillator interference.
- b) MPX decoder board: Resistance values of R 464 and R 465 have been changed to increase their output signal voltages.
- c) C 436 has been newly employed to reduce electrical noise which occurs when the MODE selector is switched.
- d) The muting circuit has been changed for improved ease of muting functions and muting adjustment.

The circuit diagram and mounting diagram of the modified set are given on page 5 to 7.

3. INTERCHANGEABILITY

New and old muting circuits are mutually interchangeable.

4. APPLICABLE SERIAL NUMBERS

Item	For USA Model	For CANADA Model	For General Export Model
New Parts Required (Muting Circuit)	86,871 and later	75,101 and later	55,831 and later
New Parts Added (C 238)	86,871 and later	75,101 and later	55,831 and later
New Parts Added (C 436)	85,901 and later	75,001 and later	55,301 and later
Parts Changed (R 464, 465)	86,871 and later	75,101 and later	55,831 and later
Parts Changed (Rv 202)	85,901 and later	75,001 and later	55,301 and later

5. NEW PARTS REQUIRED

(A) RESISTORS

Reference	Value (ohms)	Tolerance (\pm %)	Rating (watts)	Part Number
R 251	220	5	1/4	1-244-657-11
R 252	220	5	1/4	1-244-657-11
R 253	15 k	5	1/4	1-244-701-11

(B) CAPACITORS

Reference	Value (μ F) (pF)	Tolerance (\pm %)	Rating (volts)	Part Number
C 233	33	5	25	1-101-872-11
C 234	0.0047	+80 -20	25	1-105-669-11
C 235	0.068	10	25	1-105-683-12

SCHEMATIC DIAGRAM

(C) INDUCTORS

Reference	Value	Description	Part Number
L 205	33 μ H	Fm i-f choke	1-407-163-11

(D) SEMICONDUCTOR

Reference	Name	Part Number
Q 209	2 SK 23	8-724-333-00

(E) PRINTED CIRCUIT BOARD

Name	Part Number
FM I-F Board	1-538-905-13

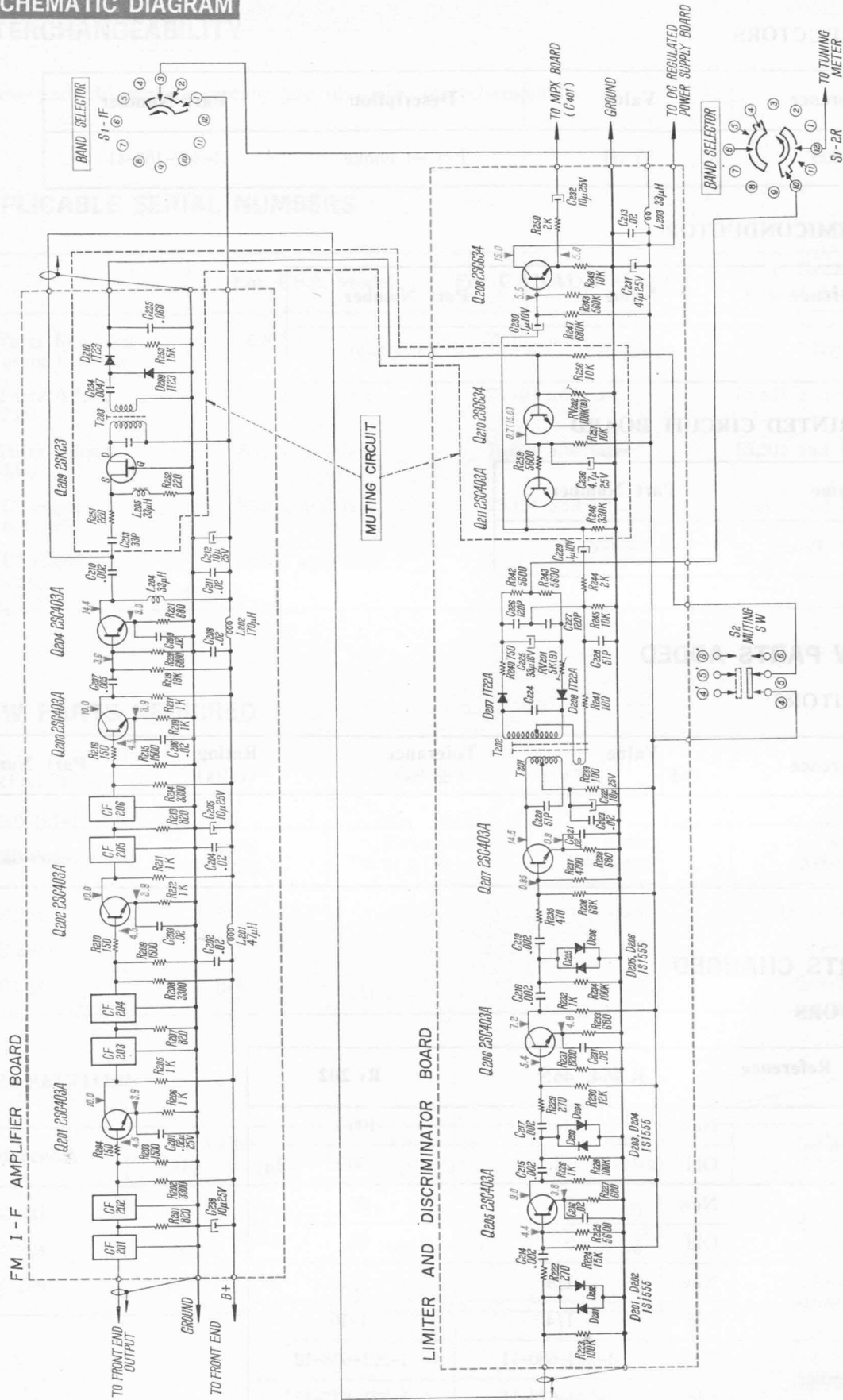
6. NEW PARTS ADDED**CAPACITORS**

Reference	Value (μ F) (pF)	Tolerance (\pm %)	Rating (volts)	Part Number
C 238	10	+100 -30	25	1-121-283-11
C 436	390	5	50	1-103-615-11

7. PARTS CHANGED**RESISTORS**

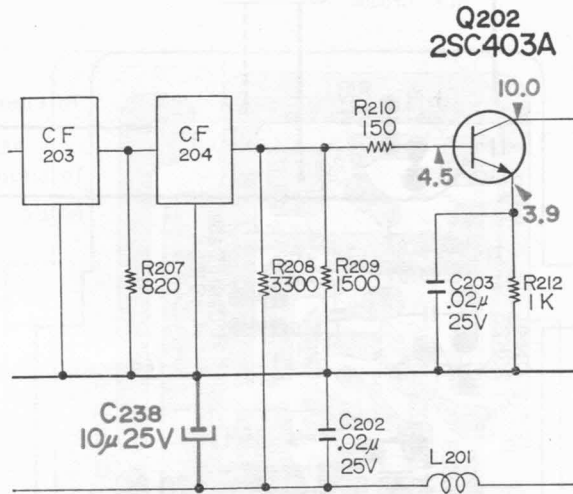
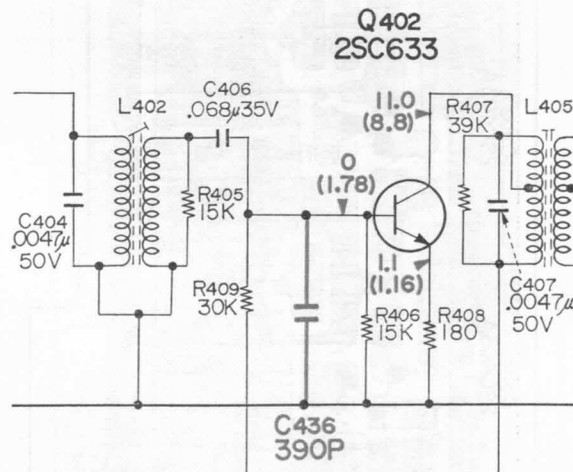
Reference		R 464, 465	Rv 202
Value (ohms)	New	2 k	100 k
	Old	1 k	50 k
Tolerance (\pm %)	New	5	25
	Old	5	25
Rating (watts)	New	1/4	1/10
	Old	1/4	1/10
Part Number	New	1-244-680-11	1-221-638-12
	Old	1-244-673-11	1-221-637-12

SCHEMATIC DIAGRAM



SCHEMATIC DIAGRAM

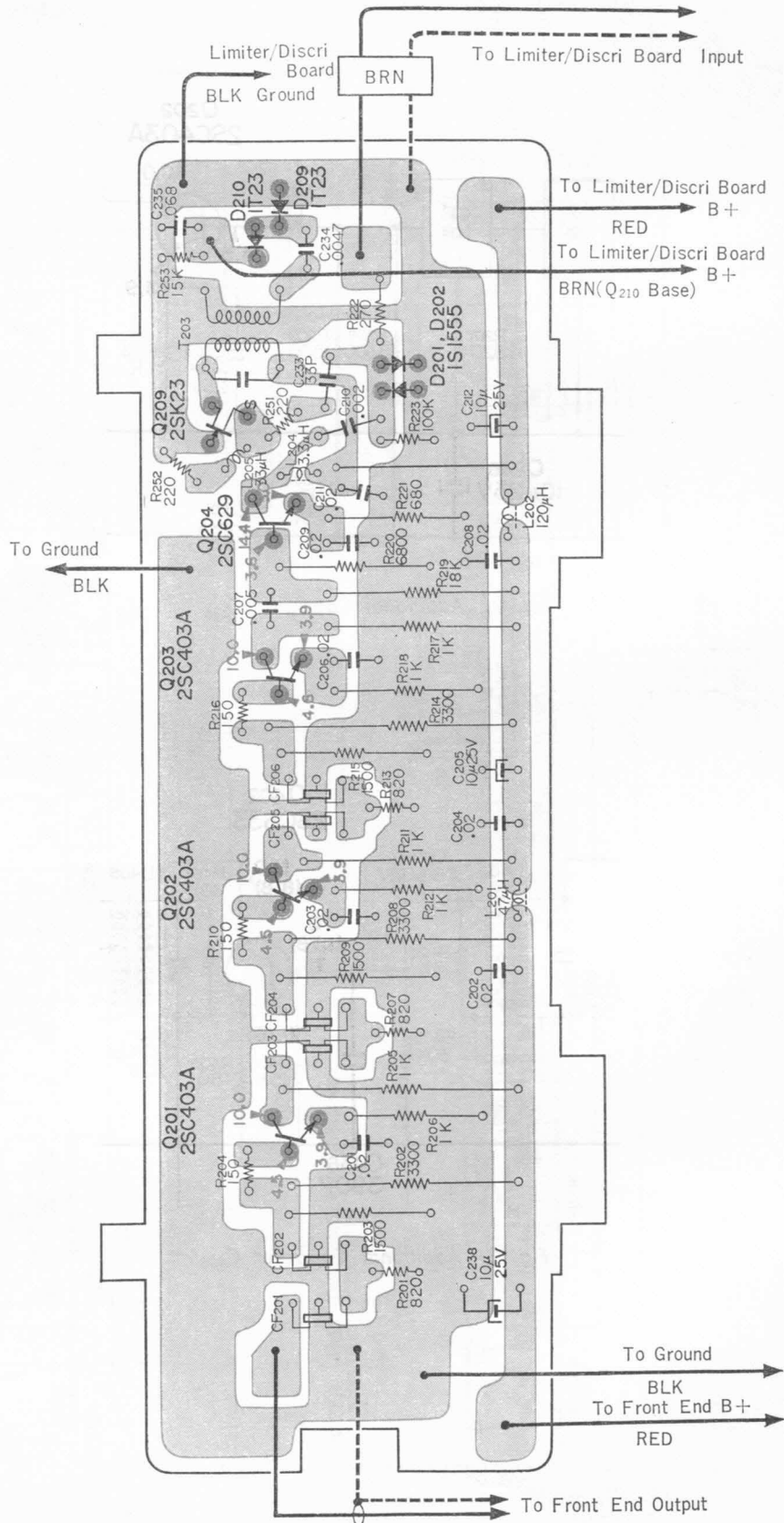
— Additional Capacitor and its related Circuit —

Fig. 1 Additional Capacitor C₂₃₈Fig. 2 Additional Capacitor C₄₃₆

MOUNTING DIAGRAM

FM I-F BOARD

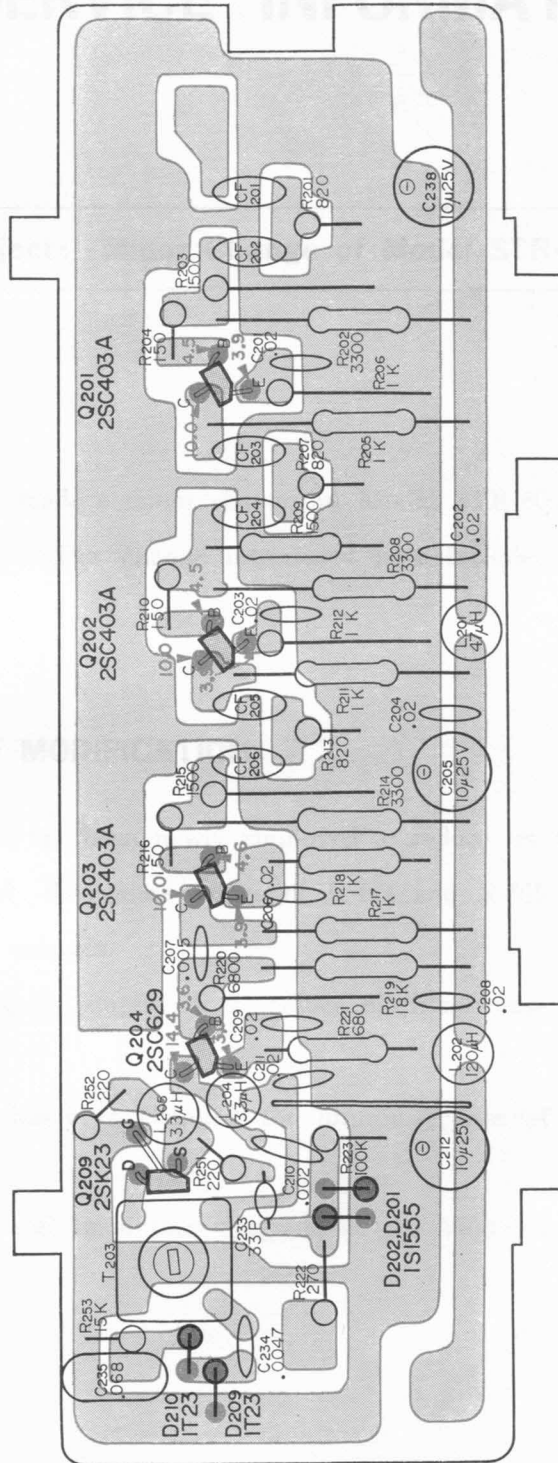
— Conductor Side —



MOUNTING DIAGRAM

FM I-F BOARD

— Component Side —



SERVICE INFORMATION

NO. 1
JAN. '69

Revised

Complete Spare Parts List for STR-6060FW (E, UL, CSA)				Ref. No.
Unit Price	Q'ty	Description	Part No.	Ref. No.
			January, 1969	19
		Insulator	0-029-824	20
		Spring	0-021-263	21
		Foot, rubber	0-04-214	22
Ref. No.	Part No.	Description	Q'ty	Unit Price
		Rubber, partition	220	23
		Heat Sink	2-029-928	24
		Screw, cabinet cover	930	25
		Knob (A), lever	931	26
		" (B), lever	932	27
A1	X-20437-51	Bracket Ass'y, pulley	1	28
A2	-52	Bracket Ass'y, switch	1	29
A3	8-55	Lid Ass'y, panel	1	30
A4	8-54	Flywheel Ass'y	1	31
A5	X-20299-05	Terminal Ass'y, middle	8	32
A6	X-20319-01	Terminal Ass'y, small	1	33
A7	X-20437-04	Plate Ass'y, back	1	34
A8	8-06	Arm Cover Ass'y	1	35
A9	1-07	Pointer Ass'y	1	36
A10	1-08	Plate Ass'y, pulley holder	1	37
A11	2-10	Chassis Ass'y, amplifier	1	38
A12	1-11	Chassis Ass'y	1	39
A13	1-13	Holder Ass'y, antenna	1	40
A14	1-14	Knob Ass'y	1	41
A15	4-15	Knob B Ass'y	1	42
A16	1-16	Cover Ass'y, transformer	1	43
A17	1-17	Gear Ass'y, balancer	1	44
1	2-047-118	Sub Panel	1	45
2	-119	Holder A, printed circuit board	2	46
3	-120	" B, " Bracket (C), antenna	2	47
4	-121	Washer	4	48
5	-123	Knob (1)	1	49
6	-124	" (2)	2	50
7	-125	Retainer, wire	4	51
8	-126	Label, specification	1	52
9	-127	Chassis, tuner	1	53
10	-128	Plate, jack	1	54
11	2-129	Panel	1	55
12	2-130	Plate, ornamental	1	56
13	4-131	Plate, dial scale	1	57
14	8-133	Plate, shield	2	58
15	2-134	Case, shield	1	59
16	2-136	Shaft, tuning	1	60
17	1-137	Drum	1	61
18	2-136	Holder, tuning shaft	1	62

Revised

Ref. No.	Part No.	Description	Q'ty	Unit Price
19	2-047-143	Insulator	1	
20	0-029-624	Spring	1	
21	0-051-263	Foot, rubber	4	
22	0-204-214	Holding Screw	4	
23	-220	Rubber, baricon	4	
24	2-029-928	Heat Sink	4	
25	-930	Screw, cabinet cover	4	
26	-931	Knob (A), lever	2	
27	-932	" (B), lever	1	
28	I --935-02	Spacer, speaker output	4	
29	I -- --12	" " " " " " " "	4	
30	I --936	" " " " " " " "	8	
31	I --938	Plate, printed circuit board	6	
32	8 --953	Label, voltage indicator	1	
33	I --989	Insulator, mica	2	
34	I --990	Screw, thermistor	4	
35	2-047-144	Washer, polyethylene	3	
36	2-043-749	Case	1	
37	I --750	Plate, bottom	1	
38	I --760	Heat Sink	2	
39	I --762	Nut, potentiometer	1	
40	I --763	Retainer, meter	1	
41	I --764	Cushion, lamp	1	
42	I --768	Retainer, dial plate	4	
43	I --769	Knob, balancer	1	
44	I --772	Plate, potentiometer	1	
45	I --773	Gear (A), balancer	1	
46	S --774	Plate, shield; headphone jack	1	
47	S --775	" Bracket (C), antenna	1	
48	A --776	Plate, panel stop	4	
49	I --778	Screw (B), panel lid	1	
50	S --779	Band, antenna	2	
51	A --780	Pipe, shield	1	
52	I --791	Rubber (A)	1	
53	I --793	Rubber (C)	1	
54	I --794	Rubber (D)	1	
55	I --798	Rubber (E)	2	
56	I --799	Insulator	2	
57	I 2-047-211-06	Rivet, TA	4	
58	S -- --07	" " TA	8	
59	I -- --08	" " TA	2	
60	I --106	Cushion A, light interception	2	
61	I --107	" B, " " "	1	
	2-056-652	Plate (A), light interception	2	

Ref. No.	Part No.	Description	Q'ty	Unit Price
62	3-410-032	Stopper, cord	1	
63	3-701-030	Self Label	1	
64	3-807-728	Socket, pilot lamp	3	
65	3-811-140	Pulley (P10)	4	
66	3-824-171	Escutcheon, jack	1	
67	2-047-147	Card, antenna caution	1	
68	-148	Cushion, rubber	4	
69	3-822-634	Heat Sink	2	
70	3-409-124	Washer, nylon	2	

A-2. Front End Section

67	3-852-301	Chassis, front end	1	
68	-302	Case, front end	1	

B. Accessories & Packing Materials

3-790-787-11	Manual, instruction (E)	1	
4-404-717	Card, inspection	1	
X-44900-02	Cloth, polishing	1	
1-501-083-21	Antenna, ribbon	1	
1-506-138-11	Plug, phono; red	2	
-12	" , phono; white	2	
3-701-020	Bag, polyethylene	1	
-026	Tack Label	1	
7-491-001	Desiccant	1	
2-047-101	Carton	1	
-102	Cushion, strofoam	1	
-103	Bag, polyethylene	1	
1-506-113	Plug, short	4	

C. Screws, Washers & Nuts

C-1. Front End Section

7-621-261-33	Screw, machine (+) RF 3x5	6	
7-623-208-22	Washer, spring 3/16	6	
7-623-508-01	Lug 3/16	1	

C-2. Main Chassis

7-621-255-13	Screw, machine (+) RF 2x3	1	
--------------	---------------------------	---	--

Ref. No.	Part No.	Description	Q'ty	Unit Price
	7-621-255-27	Screw, machine (+) RF 2 ϕ x 4	4	
	-261-23	" , " (+) RF 3 ϕ x 4	5	
	-33	" , " (+) RF 3 ϕ x 5	5	
	-43	" , " (+) RF 3 ϕ x 6	78	
	-53	" , " (+) RF 3 ϕ x 8	4	
	-63	" , " (+) RF 3 ϕ x 10	2	
	-83	" , " (+) RF 3 ϕ x 14	4	
	-268-43	" , " (+) RF 4 ϕ x 6	12	
	-268-73	" , " (+) RF 4 ϕ x 12	4	
	-461-53	" , " (+) T 3 x 8	2	
	-461-83	" , " (+) T 3 x 14	4	
	-722-44	" , self tapping (+) R 3 x 6	23	
	-722-58	" , " (+) R 3 x 8	3	
	-770-43	" , machine (+) B 3 x 6	16	
	-771-31	" , " (+) B 2.6 x 4	2	
	-772-02	" , " (+) B 3 x 6	1	
	7-622-108-02	Nut, 3 ϕ	37	
	7-623-108-02	Washer, 3 ϕ (small)	12	
	-108-12	" , 3 ϕ (middle)	61	
	-110-02	" , 4 ϕ	8	
	-208-22	" , spring 3 ϕ	100	
	-210-22	" , " 4 ϕ	16	
	-308-05	" , lock 3 ϕ	2	
	-408-05	" , " 5 ϕ	2	
	-508-01	Lug 3 ϕ	14	
	-611-00	Eyelet 1.5 ϕ x 3	1	
	-905-03	Washer, polyethylene 2 ϕ	4	
	7-624-108-01	Ring, retaining E-4	1	
	7-633-120-32	String 0.3 ϕ	1400mm	

D. Electrical Parts

D-1A. FM Front End Section (FAF-010AW)

Y-38523-01	Front End, completed (FAF-010AW)	1
	Transistor 2SK22DF Q103	1
	" 2SC403A Q104	1
	" 2SK23 Q101,102	2
1-151-184	FM/AM Tuning Capacitor CV101-105,301, 302	1
1-401-351	Coil, antenna	1
1-403-295	FM IFT (IFT101)	1

(A20\JL\4/21(STR-6060FW.E/UL/CSA)

(I-2) (SR-1)

Ref. No.	Part No.	Description	Q'ty	Unit Price
	1-405-360	Coil, oscillator L105	1	
	1-425-446	Coil, RF L102,103,104	3	
		<u>Capacitor, ceramic</u>		
	1-101-862	18pF +5% 50WV C103,107,108	3	
	-864	20pF " " C101	1	
	-424	500pF " 25WV C109	1	
	-918	0.001μF " " C119	1	
	-141	0.01μF +80%, -20% " C112,117,118,	1	
		" " " C115	4	
	-142	0.02μF " " C102,113,116,	4	
		" " " C120	4	
	1-102-872	5pF +5% 50WV C121	1	
	-077	0.01μF " 25WV C111,104	2	
	-873	15pF " " 50WV C110	1	
		<u>Capacitor, mold</u>		
	1-101-937	1.0pF +10% 500WV C106	1	
	1-102-076	1.2pF " " C105	1	
		<u>Resistor, carbon</u>		
	1-244-639	39Ω +5% RD1/4SR R108,110	2	
	-643	56Ω " " R116	1	
	-656	200Ω " " R102	1	
	-665	470Ω " " R109,111	2	
	-666	510Ω " " R114	1	
	-673	1kΩ " " R115	1	
	-685	3.3kΩ " " R106	1	
	-692	6.2kΩ " " R104	1	
	-697	10kΩ " " R105,112	2	
	-699	12kΩ " " R103	1	
	-716	62kΩ " " R113,109	2	
	-752	2MΩ " " R101,107	2	
		<u>D-1B. FM Front End Section (FAF-010B)</u>		
	Y-38523-11	Front End, completed (FAF-010BW)	1	
		Transistor 2SK23DF Q101,102	2	
		" 2SC629 Q103	1	
		" 2SC403A Q104	1	

(ASA) 5/210 (STR-6060FW.E/UL/CSA)

(SR-1) (SR-1)

Ref. U No. P'ty	Part No.	Description	Description	No. Q'ty	Unit Price
1-151-184	-----	FM/AM Tuning Capacitor	CV101-105	-----	1
1-401-351	-----	Coil, antenna	L101	-----	1
1-403-295	-----	FM/IFT capacitor, ceramic	IFT101	-----	1
1-425-446	-----	Coil, RF	L102-104	-----	3
1-405-365	-----	Coil, oscillator	L105	-----	1
	-----	Capacitor, ceramic		-----	2
	-----			-----	2
1-101-862	-----	18pF " +5% 50WV	C103,107,108	-----	3
	-----	20pF " electrolytic	C101	-----	1
	-----	500pF " " 25WV	C109	-----	1
	-----	0.001μF " 6.3V "	C119	-----	1
	-----	0.01μF +80%, -20% "	C115,117,118	-----	3
	-----	0.01μF " "	C122	-----	4
	-----	0.02μF " "	C102,116,120	-----	3
	-----		C113	-----	4
1-102-077	-----	0.01μF +5% 50WV	C104,111	-----	2
	-----	15pF " "	C110	-----	1
	-----	5pF " "	C121	-----	1
	-----	Resistor, carbon		-----	1
	-----	Capacitor, mold		-----	1
1-101-937	-----	1.0pF +10% 500WV	C106	-----	1
1-102-076	-----	1.2pF " "	C105	-----	1
	-----			-----	1
	-----	Resistor, carbon		-----	1
	-----			-----	5
1-244-656	-----	200Ω " +5% RD1/4SR	R102	-----	1
	-----	470Ω " " "	R111	-----	1
	-----	510Ω " " "	R110,114	-----	2
	-----	1kΩ " " "	R115	-----	1
	-----	3.3kΩ " " "	R106	-----	1
	-----	6.2kΩ " " "	R104,107	-----	2
	-----	10kΩ " " "	R105,108,112	-----	3
	-----	12kΩ " " "	R103	-----	1
	-----	62kΩ " " "	R113	-----	1
	-----	2MΩ " " "	R101	-----	1
	-----	1.5kΩ " " "	R109	-----	1
D-2	-----	FM I-F Section		-----	
	-----	Transistor 2SK23	Q209	-----	1
	-----	" 2SC403A	Q201-203	-----	3

(CSA)\JUL16/210(STR-6060FW.E/UL/CSA)

(SR-1) (SR-1)

Ref. No.	Part No.	Description	Q'ty	Unit Price
	1-244-659	Transistor 2SC629	Q204	1
	-666	Diode 1S-1555	D201,202	2
	-670	" 1T23	D209,210	2
1-407-163		Inductor, micro 33μH	L205	1
-165		" " 47μH	L201	1
-170		" " 120μH	L202	1
-184		" " 3.3μH	L204	1
1-403-299		IFT	T203	1
-297		Ceramic Filter 10.7MHz	CF201-206	6
		<u>Capacitor, ceramic</u>		
1-105-669		0.0047μF +80%, -20% 25WV	C234	1
1-101-073		0.02μF " " " "	C201-204,206, 208,209,211	8
-872		33pF ±5% 25WV	C233	1
-919		0.002μF +80%, -20% 25WV	C210	1
-922		0.005μF " " " "	C207	1
		<u>Capacitor, mylar</u>		
1-105-683		0.068μF +10% 50WV	C235	1
		<u>Capacitor, electrolytic</u>		
1-121-283		10μF 25WV	C205,212,238	3
		<u>Resistor, carbon</u>		
1-244-653		150Ω ±5% RD1/4SR	R204,210,216	3
-657		220Ω " " "	R252,251	2
-669		680Ω " " "	R221	1
-671		820Ω " " "	R201,207,213	3
-673		1kΩ " " "	R205,206,211,212, 217,218	6
-677		1.5kΩ " " "	R203,209,215	3
-685		3.3kΩ " " "	R202,208,214	3
-693		6.8kΩ " " "	R220	1
-703		18kΩ " " "	R219	1
-721		100kΩ " " "	R223	1
-659		270kΩ " " "	R222	1
-701		15kΩ " " "	R253	1

7/21 (STR-6060FW.E/UL/CSA)

(SR-1)

Ref. No.	Part No.	Description	Q'ty	Unit Price
----------	----------	-------------	------	------------

D-3. FM Discriminator Section

		Transistor 2SC403A	Q205,206,207,	
			211	4
		" 2SC634	Q208	1
		" 2SC634	Q210	1
		Diode 1S-1555	D203-206,	4
		" 1T22A	D207,208	2
		<u>Resistor, variable</u>		
1-221-389		5kΩ (B)	RV201	1
-638		100kΩ (B)	RV202	1
1-403-287-11		Discriminator	T201	1
-21		"	T202	1
1-407-163		Inductor, micro 33μH	L203	1
		<u>Capacitor, ceramic</u>		
1-101-073		0.02μF +80%, -20% 25WV	C213,216,237,	
			223,221	5
-882		51pF +5% 50WV	C228	1
-919		0.002μF +80%, -20% 25WV	C214,215,217,	
			218,219	5
		<u>Capacitor, styrol</u>		
1-103-603		120pF +5% 50WV	C226,227	2
		<u>Capacitor, electrolytic</u>		
1-121-281		4.7μH 25WV	C236	1
-283		10μF "	C222,232	2
-289		47μF "	C231	1
-350		33μF 16WV	C225	1
		<u>Capacitor, alum</u>		
1-127-019		0.1μF +20% 10WV	C229,230	2
		<u>Resistor, carbon</u>		
1-244-649		100Ω +5% RD1/4SR	R239,241	2

Ref. No.	Part No.	Description	Q'ty	Unit Price
	1-244-659	270Ω ±5% RD1/4SR	1	R229
	-669	680Ω "	3	R227,238,233
	-670	750Ω "	1	R240
	-673	1kΩ "	2	R226,232
	-680	2kΩ "	2	R244,250
	-689	4.7kΩ "	1	R237
	-691	5.6kΩ "	1	R225,242,243,
	-299	IFT	4	258
	-697	10kΩ "	1	R249,256,257,
	-699	12kΩ "	4	245
	-717	68kΩ "	2	R224,230
	-733	330kΩ "	1	R236
	-739	560kΩ "	1	R246
	-665	470Ω "	1	R248
	-741	680kΩ "	1	R235
	-721	100kΩ "	1	R247
	-695	8.2kΩ "	2	R228,234
			1	R231

Resistor, carbon

D-4. A-M CP/I-F Section

		Transistor 2SC403A	2	Q301,304
		" 2SC403A	2	Q302,303
		Diode 1T23	1	D301
	1-403-128	A-M IFT IFT302	1	
	-152	A-M IFT IFT301	1	
	-153	455 kHz CF CF301	1	
	1-405-359	Coil, MW oscillator	1	L304
	1-407-178	Inductor, micro 1μH	1	L302
	-182	" " 2.2μH	1	L303
		<u>Capacitor, ceramic</u>		
	1-101-869	27pF ±5% 50WV	1	C323
	-954	4pF ±0.5pF "	1	C309
		<u>Capacitor, styrol</u>		
	1-103-608	200pF ±5% 50WV	1	C308
	-708	" " " "	1	
	-617	" " " "	1	
	-717	470pF " " " "	1	C321

Ref. No.	Part No.	Description	Description	Q'ty	Unit Price
		<u>Capacitor, mylar</u>			
	1-105-414	0.033 μ F +20%	35WV C314	1	
	--827	0.0033 μ F "	50WV C313	1	
	1-108-234	0.0047 μ F +10%	" C320	1	
		<u>Capacitor, ceramic</u>			
	1-101-072	0.01 μ F +80%, -20%	25WV C301	1	
	--073	0.022 μ F "	C303-307,311,		
			316,319,324	9	
		<u>Capacitor, electrolytic</u>			
	1-121-343	1 μ F	50WV C312	1	
	--347	10 μ F	16WV C315,317	2	
	--353	47 μ F	" C322	1	
		<u>Resistor, carbon</u>			
	1-244-642	51 Ω +5%	RD1/4SR R315	1	
	--649	100 Ω "	" R327,305,326	3	
	--656	200 Ω "	" R310	1	
	--660	300 Ω "	" R317	1	
	--665	470 Ω "	" R309,311	2	
	--671	820 Ω "	" R324	1	
	--673	1k Ω "	" R303,316,325,		
			329	4	
	--677	1.5k Ω "	" R320	1	
	--683	2.7k Ω "	" R328	1	
	--684	3k Ω "	" R308	1	
	--687	3.9k Ω "	" R312	1	
	--689	4.7k Ω "	" R318	1	
	--691	5.6k Ω "	" R314	1	
	--697	10k Ω "	" R304,321	2	
	--699	12k Ω "	" R319	1	
	--701	15k Ω "	" R323	1	
	--705	22k Ω "	" R302	1	
	--709	33k Ω "	" R307	1	
	--716	62k Ω "	" R322	1	
	--710	36k Ω "	" R313	1	
	--731	270k Ω "	" R306	1	
	--732	300k Ω "	" R306	2	

10/21 (STR-6060FW, E/UL/CSA)

(SR-1)

Ref. No.	Part No.	Description	Q'ty	Unit Price
	1-244-733	330kΩ +5% RD1/4SR	1	
	-734	360kΩ "	1	
	-735	390kΩ "	1	
	-736	430kΩ "	1	
	-737	470kΩ "	1	
D-5. MPX Section				
	-141	Transistor 2SC633	3	
	-142	Transistor 2SC633	4	
		Diode 1T22A 50WV	4	
		Diode 1T23 50WV	2	
		Resistor, variable 5kΩ (B) RV401	1	
		Inductor, micro 470μH	2	
		Coil, trap 19 kHz	1	
		Coil, " 167 kHz	1	
		Transformer, dubler 19 kHz	1	
		" , switching 38 kHz	1	
		" , pick up 19 kHz	2	
		Capacitor, ceramic	2	
		Capacitor, ceramic	1	
		Capacitor, ceramic	1	
		Capacitor, ceramic	1	
		Capacitor, ceramic	2	
		Capacitor, ceramic	6	
		Capacitor, ceramic	1	
		Capacitor, ceramic	1	
		Capacitor, ceramic	2	
		Capacitor, ceramic	1	
		Capacitor, ceramic	2	
		Capacitor, ceramic	1	
		Capacitor, ceramic	2	
		Capacitor, ceramic	1	
		Capacitor, ceramic	2	
		Capacitor, ceramic	4	
		Capacitor, ceramic	2	
		Capacitor, ceramic	1	
		Capacitor, ceramic	4	
		Capacitor, ceramic	1	
		Capacitor, ceramic	4	

(A20)\JUL\11/21 (STR-6060FW.E/UL/CSA)

(I-12) (SR-1)

Ref. No.	Part No.	Description	Q'ty	Unit Price
		<u>Capacitor, mylar</u>		
	1-105-661	0.001 μ F 50WV	2	C413,414
	-665	0.0022 μ F "	2	C413,414
	-667	0.0033 μ F "	2	C413,414
	-669	0.0047 μ F "	2	C413,414
	-671	0.0068 μ F "	2	C413,414
	-673	0.01 μ F +10% 50WV	2	C413,414
	-675	0.015 μ F " "	2	C413,414
		<u>Capacitor, electrolytic</u>		
	1-121-291	100 μ F 6.3WV "	1	C405
	-343	1 μ F 50WV "	1	C432
	-347	10 μ F 16WV "	4	C415,416,418,419,
			5	420
	-350	33 μ F "	1	C401
	-356	100 μ F "	2	C408,434
	-358	220 μ F "	2	C417,435
		<u>Resistor, carbon</u>		
	1-244-655	180 Ω +5% RD1/4SR	1	R408
	-649	100 Ω "	2	R441,442
	-656	200 Ω "	1	R455
	-660	300 Ω "	1	R413
	-663	390 Ω "	1	R423
	-666	510 Ω "	5	R417-420,451
	-672	910 Ω "	2	R445,446
	-673	1k Ω "	1	R414,415,424,
			6	425,456,460
	-680	2k Ω "	1	R421,422,434,
			1	435,439,440,
			2	462,463,464,
	-697	10k Ω "	10	465
	-683	2.7k Ω "	2	R443,444
	-684	3k Ω "	1	R416
	-686	3.6k Ω "	2	R447,448
	-697	10k Ω "	3	R428,429,452
	-701	15k Ω "	2	R405,406
	-703	18k Ω "	1	R403
	-705	22k Ω "	4	R430,431,457,461
	-708	30k Ω "	7	R409,411,437,438,
				449,450,454

(A22) 12/21 (STR-6060FW.E/UL/CSA)

Ref. No.	Part No.	Description	Q'ty	Unit Price
1-244-711	39kΩ	+5% RD1/4SR R407	1	
-712	43kΩ	" " R459	1	
-714	51kΩ	" " R401,402,412,		
		458	4	
-720	91kΩ	" " R426,427	2	
-721	100kΩ	" " R410	1	
-731	270kΩ	" " R453	1	
-661	330Ω	" " R404	1	
-692	6.2kΩ	" " R436	1	
-695	8.2kΩ	" " R466	1	
-649	100Ω	" " R432,433	2	
-656	200Ω	" " R432,433	2	
-660	300Ω	" " R432,433	2	
D-6. Power Amplifier Section				
	Transistor	2SA527 Q610,710	2	
	"	2SC631 Q607,707	2	
	"	2SC632 Q606,706	2	
	"	2SC756 Q608,708	2	
	"	2SC756 Q609,709	2	
	<u>Resistor, variable</u>			
1-221-965	50kΩ (B)	" " RV601,701	2	
-967	10kΩ (B)	" " RV602,702	2	
	<u>Capacitor, mylar</u>			
1-105-849	0.22μF	+20% 50WV C619,719	2	
-879	0.033μF	" 100WV C630,730	2	
	<u>Capacitor, silvered mica</u>			
1-107-004	100pF	+10% 500WV C627,628,727,		
		728	4	
-089	150pF	+5% 50WV C624,634,724,		
		734	4	
	<u>Capacitor, electrolytic</u>			
1-121-105	10μF	+150%, -10% 10WV C635,735	2	
-140	350μF	" " C620,720	2	

(A20)U\13/210(S)TR-6060FW.E/UL/CSA)

Ref. No.	Part No.	Description	Q'ty	Unit Price
	1-121-294	200µF +100%, -10% 3WV	2	C626,726
	-343	1µF +150%, -10% 50WV	2	C629,729
	-346	4.7µH " " "	2	C623,723
	-351	33µH +100%, -10% " "	2	C622,722
	-352	47µF +150%, -10% 10WV	2	C625,725
	-354	47µF +100%, -10% 50WV	2	C632,732
	-384	100µF " " "	2	C621,721
		<u>Resistor, composition</u>		
	1-202-513	3.3Ω ±10% RC1/2	4	R659,660,759,760
	-525	10Ω " " "	2	R665,765
	-549	100Ω " " "	4	R657,658,757,758
	-555	180Ω " " "	2	R653,753
	-561	330Ω " " "	4	R654,656,754,756
	-567	560Ω " " "	2	R648,748
	-573	1kΩ " " "	2	R655,755
	-583	2.7kΩ " " "	2	R652,752
	-585	3.3kΩ " " "	2	R649,749
	-587	3.9kΩ " " "	2	R645,745
	-591	5.6kΩ " " "	2	R651,751
	-593	6.8kΩ " " "	2	R644,744
	-597	10kΩ " " "	2	R643,743
	-609	33kΩ " " "	2	R650,750
		<u>Resistor, wire wound</u>		
	1-207-174	0.24Ω ±10% 1.5WV	6	R661-663,761-763
		<u>Resistor, carbon</u>		
	1-244-639	390Ω RD1/4SR	2	R646,746
	-663	390Ω ±10% "	2	R642,742
	-667	560Ω " "	2	R647,747
	-687	3.9kΩ " "	2	R667,767
	-725	150kΩ " "	2	R641,741
	-737	470kΩ " "	2	R640,740

14/210 (STR-6060FW.E/UL/CSA)

Ref. No.	Part No.	Description	Qty	Unit Price
	<u>D-7. Thermistor Section</u>			
	1-538-732	Mounted Circuit Board, thermistor	2	
		Transistor 2SD88 Q611,612,711,712	4	
		Thermistor S-10K TH601,701	2	
		<u>Capacitor, electrolytic</u>		
	1-121-722	1000μF " 80WV C631,731	2	
		<u>D-8. Thermo Compensation Diode Section</u>		
		Diode SH-1S D602,604,702,704,603,703	6	
		" SV-31 D601,605,701,705	4	
		<u>D-9. Protection Circuit Section</u>		
		Transistor 2SC633 Q613,614,713,714	4	
		" 2SC756 Q802	1	
		" CS-1256H Q615,715	2	
		Diode " SV-05 D808	1	
		" " SH-1S D606,706	2	
		" " " " " "		
		<u>Capacitor, mylar</u>		
	1-105-821	0.001μF +20% 50WV C816	1	
		<u>Capacitor, silvered mica</u>		
	1-107-131	100pF " +10% 50WV C638,639,738,739	4	
	-138	200pF " " C640,740	2	
		<u>Capacitor, electrolytic</u>		
	1-121-352	47μF 10WV C815	1	
	1-110-240	200μF 90WV C814	1	
		<u>Resistor, wire wound</u>		
	1-207-174	0.24Ω +10% 1.5WV C664,764	2	

(STR-6060FW.E/UL/CSA)

(SR-1)

<u>Ref. No.</u>	<u>Part No.</u>	<u>Description</u>	<u>Q'ty</u>	<u>Unit Price</u>
-----------------	-----------------	--------------------	-------------	-------------------

Resistor, carbon

1-209-234	10k Ω	+10%	R1	R806	-----	1
1-244-613	3.3 Ω	+5%	RD1/4SR	R675,775	-----	2
-617	4.7 Ω	"	"	R672,772	-----	2
-623	8.2 Ω	"	"	R673,674,773, 774	-----	4
-645	68 Ω	"	"	R676,776	-----	2
-649	100 Ω	"	"	R671,771	-----	2
-683	2.7k Ω	"	"	R805	-----	1
-699	12k Ω	"	"	R677,777	-----	2
-701	15k Ω	"	"	R670,770	-----	2

D-10. Preamplifier Section

	Transistor	2SC631	Q601,603,701,703	4
	"	2SC632	Q602,604,702,704	4
	"	2SC632	Q605,705	2

Capacitor, mylar

1-105-510	0.0056 μ F	+5%	50WV	C609,709	-----	2
-511	0.0068 μ F	+20%	"	C610,710	-----	2
-517	0.022 μ F	+5%	"	C608,708	-----	2
-821	0.001 μ F	+20%	"	C612,712	-----	2
-841	0.047 μ F	"	"	C611,711	-----	2
-849	0.22 μ F	"	"	C601,701	-----	2

Capacitor, silvered mica

1-107-002	50pF	+10%	500WV	C605,705	-----	2
-004	100pF	"	"	C633,733	-----	2

Capacitor, mica

1-109-008	500pF	+10%	500WV	C603,703	-----	2
-----------	-------	------	-------	----------	-------	---

Capacitor, ceramic

1-101-955	5pF	+5pF	50WV	C641,741	-----	2
-----------	-----	------	------	----------	-------	---

Capacitor, electrolytic

1-121-281	4.7 μ F		25WV	C607,614,707,714	4
-----------	-------------	--	------	------------------	---

(A20\JUL\16/21 (STR-6060FW.E/UL/CSA)

(1-R2) (SR-1)

Ref. No.	Part No.	Description	Q'ty	Unit Price
	1-121-286	33μF 25WV	2	C602,702
	-287-	47μF 3WV	2	C604,704
	-291-	100μF 6.3WV	2	C606,706
	-352	47μF 10WV	2	C613,713

Capacitor, silvered mica

Resistor, carbon

	1-244-639	100Ω +5% RD1/4SR	2	R627,727
	-641	47Ω	2	R630,730
	-655	180Ω	2	R610,710
	-661-	330Ω	2	R615,715
	-663-	390Ω	2	R623,723
	-667-	560Ω	2	R614,631,714
	-673-	1kΩ	4	R626,726
	-677-	1.5kΩ	2	R607,707
	-687-	3.9kΩ	2	R629,729
	-689	4.7kΩ	2	R617,717
	-691	5.6kΩ	2	R613,713
	-694	7.5kΩ	2	R622,722
	-695	8.2kΩ	2	R611,711
	-699	12kΩ	2	R632,732
	-700	13kΩ	2	R619,719
	-703	18kΩ	2	R628,728
	-705	22kΩ	2	R620,720
	-707	27kΩ	2	R606,706
	-709	33kΩ	2	R612,712
	-719	82kΩ	2	R616,716
	-725	150kΩ	2	R618,718
	-729	220kΩ	2	R609,709
	-735	390kΩ	2	R608,708
	-737	470kΩ	2	R625,725
	-745	1MΩ	2	R605,705
	-747	1.2MΩ	2	R624,724
	-749	1.5MΩ	2	R621,721

D-11.	Tone Control Section	1000μF +150% -10% 25WV	1	1-119-165
		1000μF	1	1-121-388

Capacitor, mylar

	1-105-661	0.001μF +10% 50WV	2	C615,715
	-673	0.01μF	2	C616,716
	-677-	0.022μF	2	C617,717

(A20) 17/21 (STR-6060FW.E/UL/CSA)

(1-R2) (SR-1)

Ref. No.	Part No.	Description	Q'ty	Unit Price
1-105-681		0.047μF +10% 50WV C637,737	2	
-689		0.22μF " " C618,718	2	
<u>Capacitor, silvered mica</u>				
1-107-085		100pF +5% 50WV C636,736	2	
<u>Capacitor, carbon</u>				
1-244-663		390Ω +5% RD1/4SR R634,734	2	
-681		2.2kΩ " " R636,736	2	
-689		4.7kΩ " " R637,737	2	
-693		6.8kΩ " " R633,733	2	
-701		15kΩ " " R639,739	2	
-705		22kΩ " " R635,735	2	
-717		68kΩ " " R638,738	2	
<u>D-12. Power Supply Section</u>				
		Diode 1T243M D806,807	2	
		" 10D2 D805	1	
		" SA-2A D801,803,802,804	4	
1-532-083		Fuse, 5A F801	1	
<u>Capacitor, mylar</u>				
1-105-821		0.001μF +20% 50WV C812	1	
-841		0.047μF " " C810	1	
-917		0.022μF " " 200WV C804,805,806,807	4	
-921		0.047μF " " " C803	1	
<u>Capacitor, electrolytic</u>				
1-119-165		1000μF +150%, -10% 25WV C813	1	
1-121-388		1000μF " 35WV C811	1	
<u>Resistor, carbon</u>				
1-202-573		1kΩ RC1/2 R807	1	
-583		2.7kΩ " " R802	1	
1-209-216		270Ω R1 R803,804	2	

(STR-6060FW, E/UL/CSA)

(SR-1)

<u>Ref. No.</u>	<u>Part No.</u>	<u>Description</u>	<u>Q'ty</u>	<u>Unit Price</u>
	<u>D-13. General Item Section</u>			
		Transistor 2SD28	Q801	1
		<u>Resistor, variable</u>		
1-221-844		250kΩ (B)	RV801-1,2	1
1-222-158		100kΩ (B)	RV804-1,2, 803-1,2	2
-161		250kΩ	RV802-1,2	1
1-417-014-21		Balun	L801	1
1-441-410		Transformer	T801	1
1-401-350		Antenna, bar	L301	1
1-507-163		Jack, 4 pin	J604,605,704,705	1
-170		Jack, bynoral	J801	1
-185		Jack, 6 pin	J601,602,603,701,702, 703	1
1-509-015		Socket, AC	CNJ802	1
-029		Rec/PB Connector	CNJ801	1
1-513-338		Switch, lever	S6	1
-361		"	S4	1
1-514-465		" , rotary	S1	1
-466		" , lever slide	S2,3,7,8,9	5
-337		"	S5	1
-369		Lever Switch, micro	S10	1
1-517-021		Socket, pilot lamp		1
1-518-017		Lamp, pilot	PL803	1
-051-15		" , (PAP-010W)	PL804	1
-16		" , (PAP-010BW)	PL805	1
-17		" , "	PL806	1
-070		" , "	PL801,802	2
1-520-078		Meter, tuning	M801	1
1-526-165		Socket, voltage selector	VS	1
1-533-051		Holder, lamp		2
1-534-487-21		Cord, power	CN801	1
1-536-146		Terminal Strip 1L1		1
-174		Plate, 4 pin terminal	TM801	1
-179		Terminal Strip 1L1		3
1-115-071		Capacitor, oil 0.0047μF 600WV	C808,809	2
1-121-094		" , electrolytic 1000μF 35WV	C802	1
-734		" , " 2000μF 90WV	C801	1
1-201-096		" , carbon 470Ω +10% RC1/2	C668,768	2

Ref. No.	Part No.	Description	Q'ty	Unit Price
	1-206-010	Resistor, wire wound 2.7kΩ +10% 2W R801	1	
	1-209-219	" , carbon 470Ω +5% RD1L R669,769	2	
	1-244-697	" " 10kΩ " RD1/4SR R603,703	2	
	-713	" " 47kΩ " " R604,704	2	
	-719	" " 82kΩ " " R601,701	2	
	-737	" " 470kΩ " " R602,702	2	
	1-231-057	Encapsulated Component 0.033μF 120Ω 500W CP801	1	
<u>Mounted Circuit Board</u>				
	X-20437-36	A-M CP/I-F	1	
	-37	FM, I-F	1	
	-38	FM Discriminator	1	
	-39	MPX	1	
	-40	Power Supply	1	
	-41	Tone Control	1	
	-42	Preamplifier	1	
	-43	Thermo Compensation	1	
	-44	Protection Circuit	1	
	-45	Power Amplifier	1	
		Front End; (FAF-010AW)	1	
		" ; (FAF-010BW)	1	
<u>Additional Parts for UL Model</u>				
	3-790-787-32	Manual, instruction (UL)	1	
	2-047-132	Label, specification	1	
	2-030-610	Sheet D, input indication	1	
	3-994-399	Card, warranty	1	
	2-047-109	Carton (for two sets)	1/2	
	1-534-538-21	Cord, power CN801	1	
	1-202-645-31	Resistor, composition 1MΩ +10% RC1/2 R807	1	
		" carbon 470Ω +10% RD1L R669,769	2	

(A20\JU\20/21)(STR-6060FW.E/UL/CSA)

<u>Ref. No.</u>	<u>Part No.</u>	<u>Description</u>	<u>Q'ty</u>	<u>Unit Price</u>
<u>Additional Parts for CSA Model</u>				
	2-030-610	Sheet D, input indication -----	1	
	2-029-991	Label, caution -----	1	
	2-047-146	Label, specification -----	1	
	3-790-787-32	Manual, instruction (CSA) -----	1	
	3-793-107	Card, warranty -----	1	
	-105	List, warranty station -----	1	
	3-792-787-41	Tag, price -----	1	
	3-701-041	Label, CSA -----	1	
	1-534-538-21	Cord, power CN803 -----	1	
	1-201-600	Resisor, composition 1M Ω <u>+10%</u> RC1/2 R807	1	